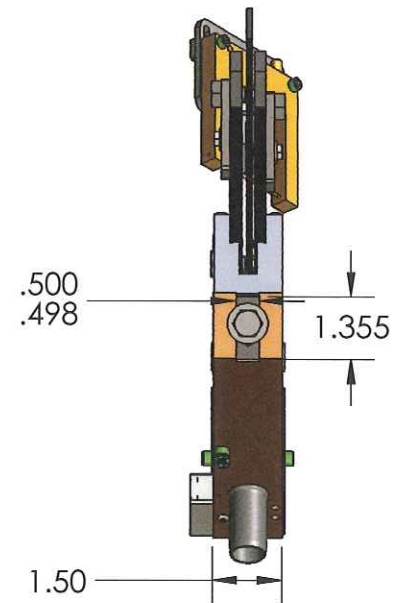
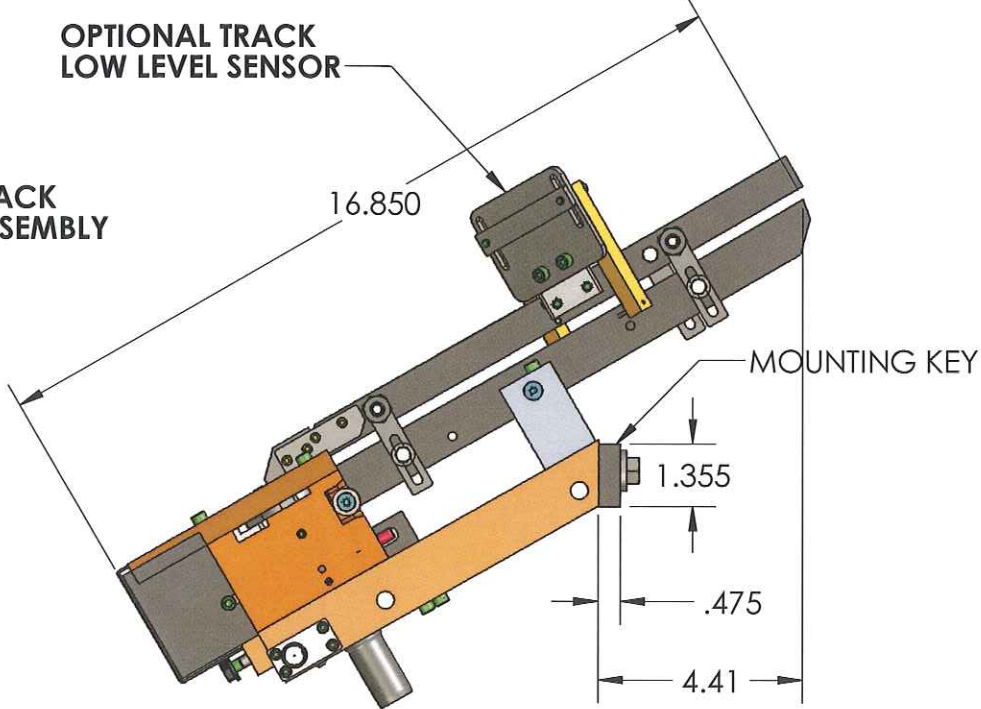
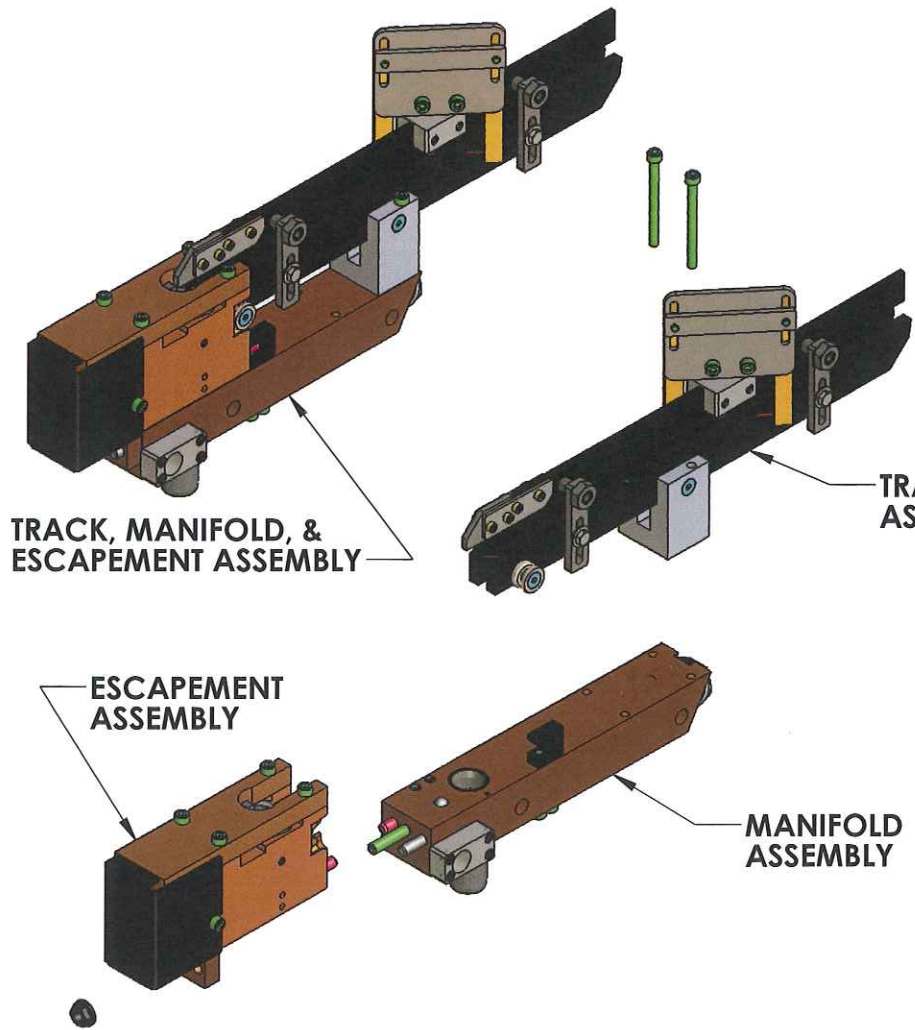


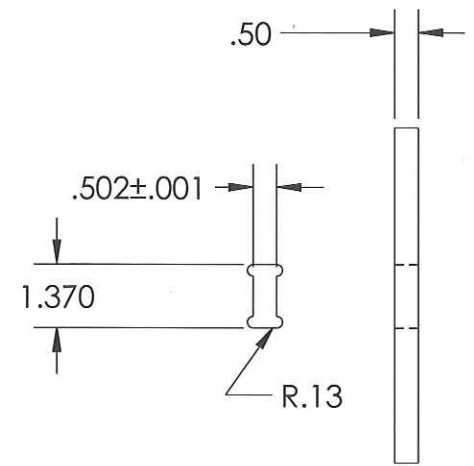
Deane Systems, LLC

FASTENER FEED & DRIVE SYSTEMS - GRAYLING, MI

ME-69



SUGGESTED MOUNTING



ME-69-1-0-A-B-C-D-0-0

ESCAPEMENT SIZE
NUMBER OF LANES TO FEED IN THIS ASSEMBLY
 1 TO 10
ASSEMBLY
 0 = COMPLETE TRACK, MANIFOLD & ESCAPEMENT ASSEMBLY
 1 = ESCAPEMENT ASSEMBLY ONLY
 2 = MANIFOLD ASSEMBLY ONLY
 3 = TRACK ASSEMBLY ONLY
HEAD DIAMETER
 .175 - .625
HEAD HEIGHT
 .060 - .400

NUMBER OF STANDS
 0 = NO STAND
 1 = 1 STAND
 2 = 2 STANDS
SENSOR
 0 = NO SENSOR
 1 = EFECTOR OPU203
 2 = BALLUFF BGL50A-001-S49
BODY LENGTH
 .375 - 2.00
BODY DIAMETER
 .125 - .330

ME-69 CAPACITIES

HEAD DIA.	HEAD HEIGHT	BODY DIA.	BODY LENGTH
"A"	"B"	"C"	"D"
.175 - .625	.400 MAX	.125 - .330	2.00 MAX

