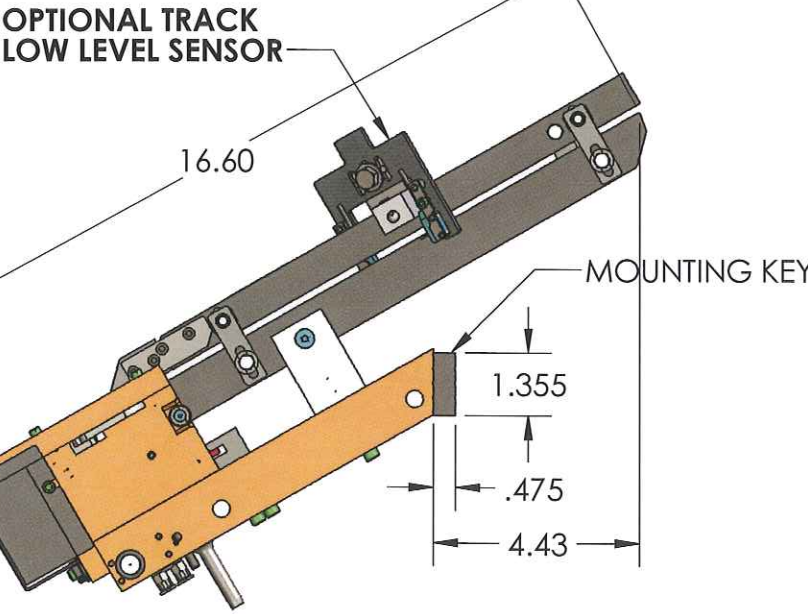
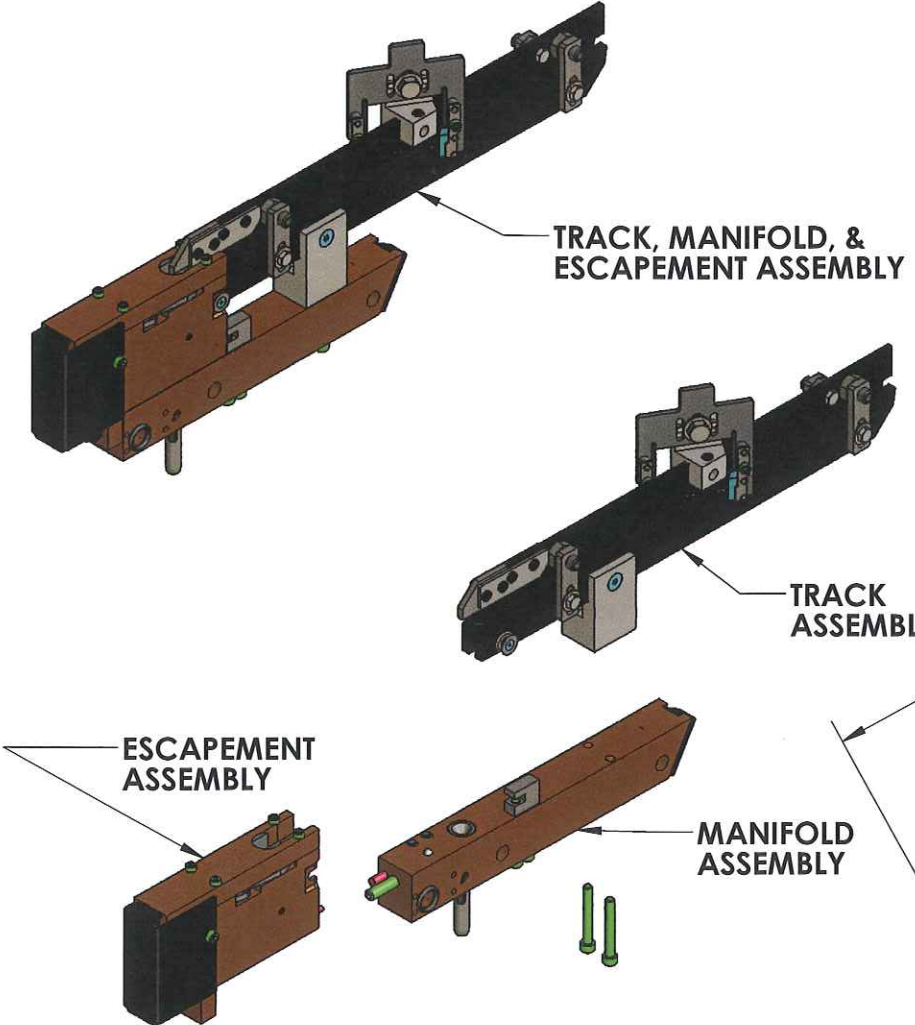


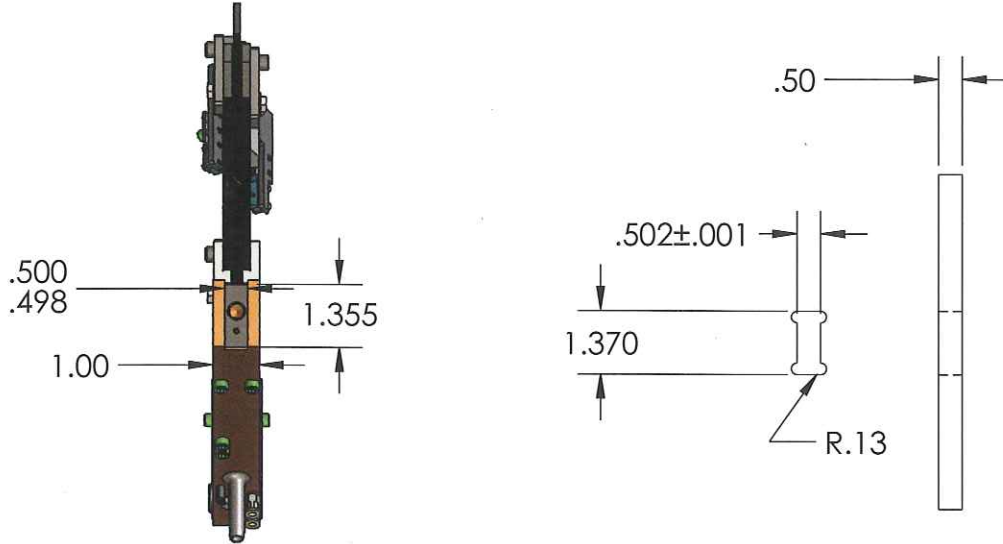
Deane Systems, LLC

FASTENER FEED & DRIVE SYSTEMS - GRAYLING, MI

ME-43



SUGGESTED MOUNTING



ME-43-1-0-A-B-C-D-0-0

ESCAPEMENT SIZE
NUMBER OF LANES TO FEED IN THIS ASSEMBLY
 1 TO 10
ASSEMBLY
 0 = COMPLETE TRACK, MANIFOLD & ESCAPEMENT ASSEMBLY
 1 = ESCAPEMENT ASSEMBLY ONLY
 2 = MANIFOLD ASSEMBLY ONLY
 3 = TRACK ASSEMBLY ONLY
HEAD DIAMETER
 .175 - .406
HEAD HEIGHT
 .060 - .375

NUMBER OF STANDS
 0 = NO STAND
 1 = 1 STAND
 2 = 2 STANDS
SENSOR
 0 = NO SENSOR
 1 = EFECTOR OPU203
 2 = BALLUFF BGL50A-001-S49
 3 = SUNX EX-11EA-PN
BODY LENGTH
 .375 - 1.75
BODY DIAMETER
 .075 - .190

ME-43 CAPACITIES

HEAD DIA.	HEAD HEIGHT	BODY DIA	BODY LENGTH
"A"	"B"	"C"	"D"
.175 - .406	.375 MAX	.075 - .190	1.75 MAX

