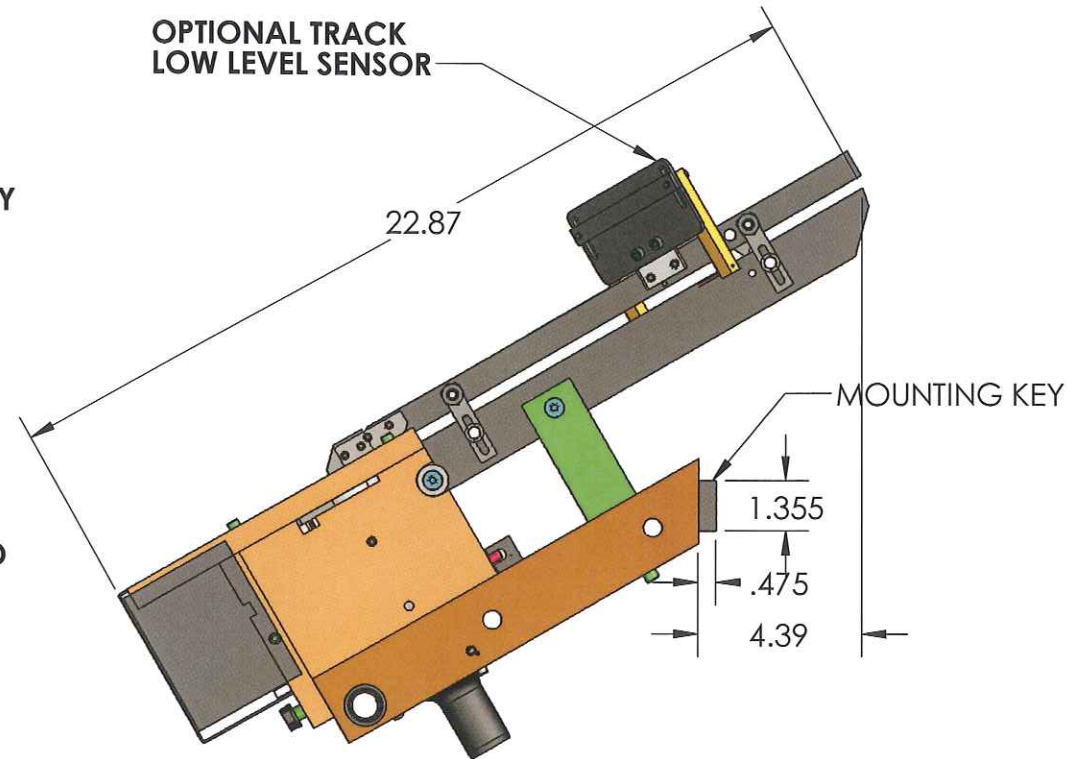
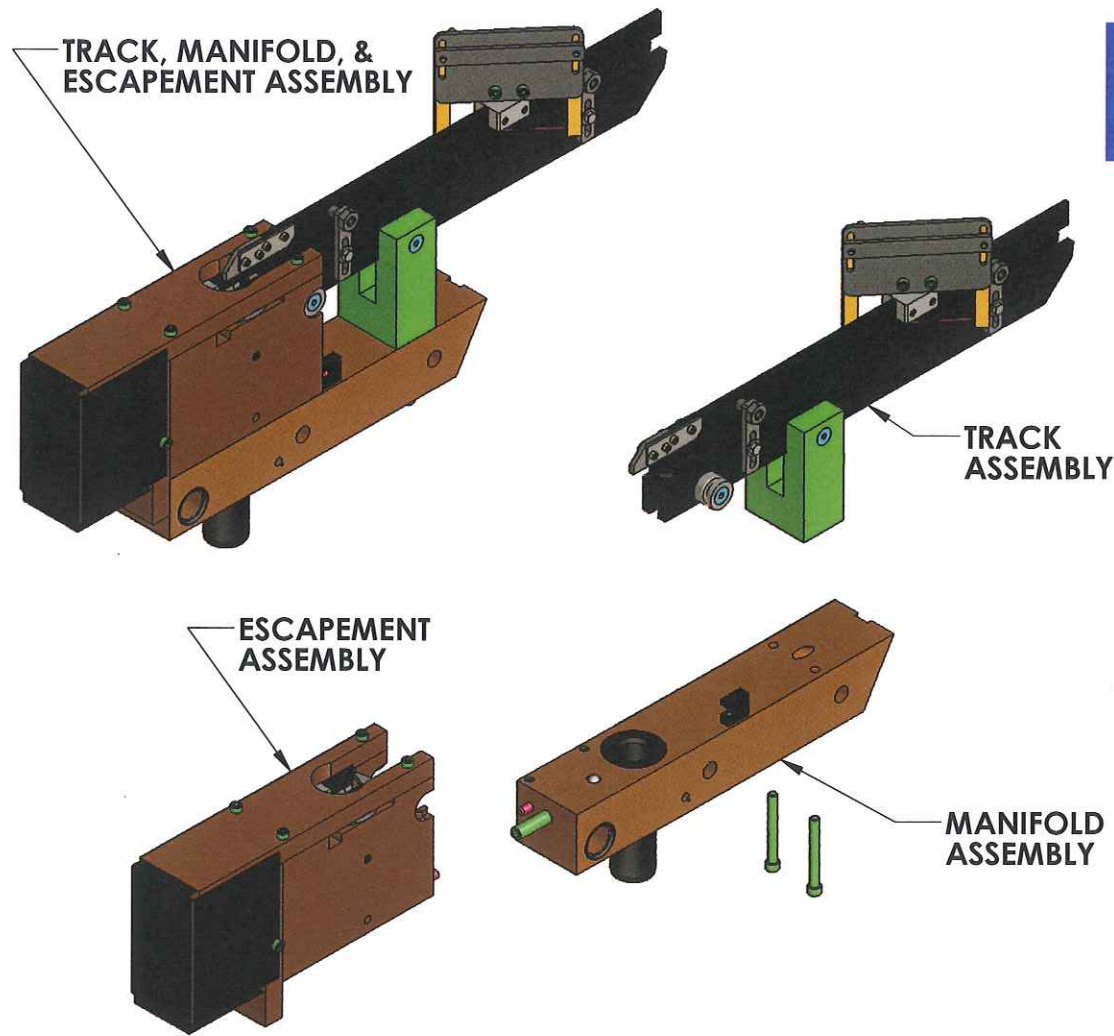
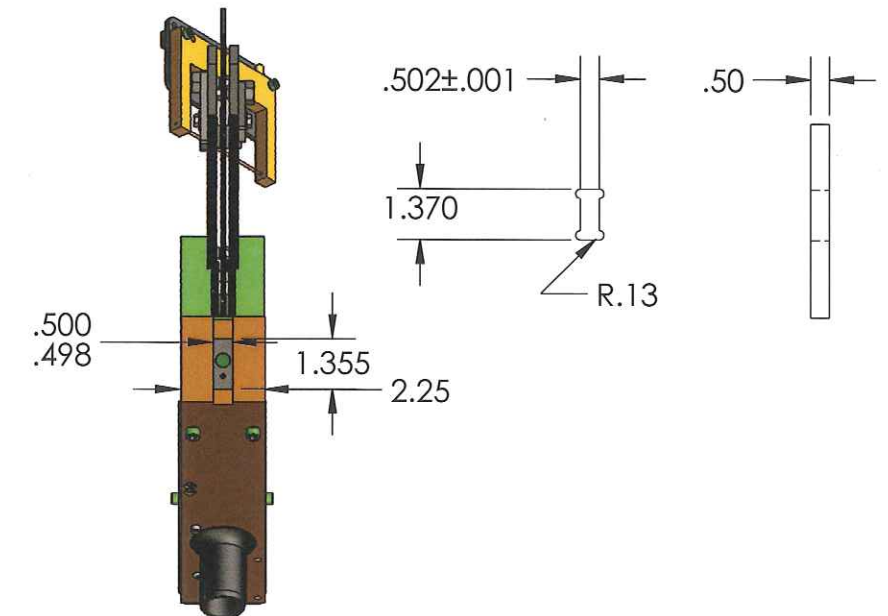


Deane Systems, LLC ME-125

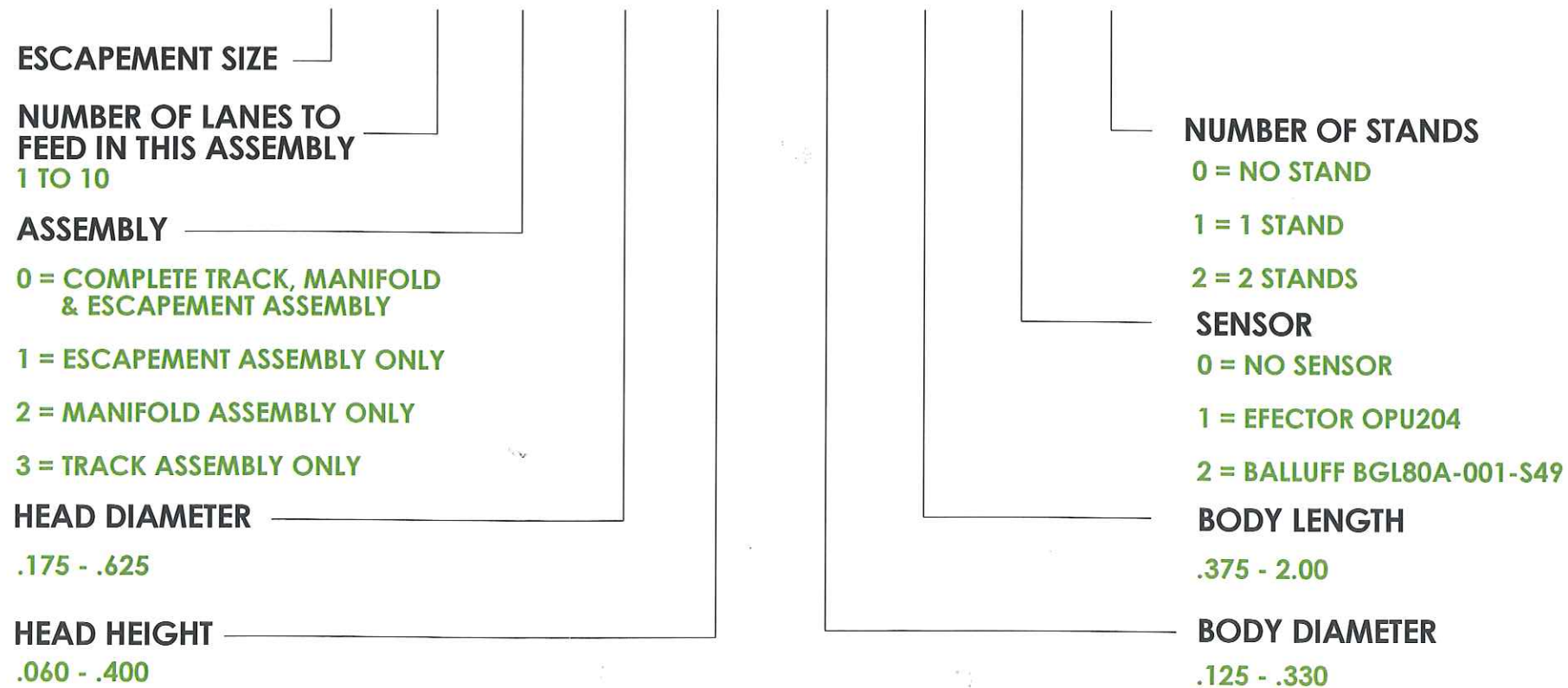
FASTENER FEED & DRIVE SYSTEMS - GRAYLING, MI



SUGGESTED MOUNTING



ME-125-1-0-A-B-C-D-0-0



ME-125 CAPACITIES

HEAD DIA.	HEAD HEIGHT	BODY DIA.	BODY LENGTH
"A"	"B"	"C"	"D"
.456 - 1.12	.400 MAX	.236 - .625	3.25 MAX

